

# Genie® Genie Lift™ GL™ -4, GL-8, GL-10 & GL-12

## Specifications

Models	GL-4		GL-8		GL-10		GL-12	
Measurements	US	METRIC	US	METRIC	US	METRIC	US	METRIC
<b>A</b> Height - stowed	5ft 7.5in	1.72m	5ft 7.5in	1.72m	6ft 6.5in	2.00m	7ft 7in	2.31m
Height - max. forks down	4ft 1.5in	1.26m	8ft 3in	2.51m	9ft 10.5in	3.01m	12ft	3.66m
Height - max. forks up	5ft 11in	1.80m	10ft 0.5in	3.06m	11ft 8in	3.56m	13ft 9.5in	4.20m
<b>B</b> Standard base Length - stowed	1ft	0.30m	1ft	0.30m	—	—	—	—
<b>B</b> Straddle base Length - stowed	1ft 7.25in	0.49m	1ft 7.25in	0.49m	1ft 7.25in	0.49m	1ft 7.25in	0.49m
<b>C</b> Standard base Length - operating	2ft 10.75in	0.88m	2ft 10.75in	0.88m	—	—	—	—
Straddle base Length - operating	3ft 7in	1.09m	3ft 7in	1.09m	3ft 7in	1.09m	3ft 7in	1.09m
Counterweight base Length - operating	2ft 4.5in	0.72m	2ft 4.5in	0.72m	2ft 4.5in	0.72m	—	—
<b>C</b> Standard base Width - platform	2ft 0.75in	0.63m	2ft 0.75in	0.63m	—	—	—	—
<b>C</b> Straddle/Counterweight base Width - stowed	2ft 4.75in	0.73m	2ft 4.75in	0.73m	2ft 4.75in	0.73m	2ft 4.75in	0.73m
<b>C</b> Straddle/Counterweight base Width - max.	3ft 7.5in	1.10m	3ft 7.5in	1.10m	3ft 7.5in	1.10m	3ft 7.5in	1.10m
<b>C</b> Straddle/Counterweight base Width - max. inside	3ft	0.91m	3ft	0.91m	3ft	0.91m	3ft	0.91m

## Productivity

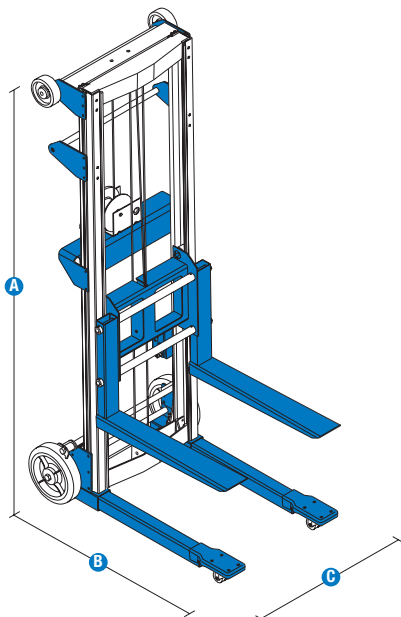
Load height min. (forks down)	3.5 in	9 cm	3.5 in	9 cm	3.5 in	9 cm	3.5 in	9 cm
Load height min. (straddle Base)	2 in	5.1 cm	2 in	5.1 cm	2 in	5.1 cm	2 in	5.1 cm
Ground clearance - center <sup>(1) (2) (3)</sup>	0.75 in	2 cm	0.75 in	2 cm	0.75 in	2 cm	0.75 in	2 cm
Average cranks - standard winch	11.5/ ft	38/m	11.5/ ft	38/m	11.5/ ft	38/m	11.5/ ft	38/m
Fork length	1ft 10.5in	0.57m	1ft 10.5in	0.57m	1ft 10.5in	0.57m	1ft 10.5in	0.57m
Fork width - outside	1ft 8.5in	0.52m	1ft 8.5in	0.52m	1ft 8.5in	0.52m	1ft 8.5in	0.52m
Fork width - inside	13in	33cm	13in	33cm	13in	33cm	13in	33cm
Load platform length	1ft 11in	0.58m	1ft 11in	0.58m	1ft 11in	0.58m	1ft 11in	0.58m
Load platform width	1ft 10in	0.56m	1ft 10in	0.56m	1ft 10in	0.56m	1ft 10in	0.56m
Load capacity at 14 in (36 cm) load center	500 lb	227 kg	400 lb	182 kg	350 kg	159 kg	350 kg	159 kg
Boom length	20.19in	51 cm	20.19in	51 cm	20.19in	51 cm	20.19in	51 cm
Boom attachment points	13.25/19in	34/48 cm	13.25/19in	34/48 cm	13.25/19in	34/48 cm	13.25/19in	34/48 cm

## Power

Average cranks - per length unit	14/ft	46/m	14/ft	46/m	14/ft	46/m	14/ft	46/m
Standard winch - carriage moving	14/ft	46/m	14/ft	46/m	14/ft	46/m	14/ft	46/m
Standard winch - mast moving	6.5/ft	21.3/m	6.5/ft	21.3/m	6.5/ft	21.3/m	6.5/ft	21.3/m

## Weight and Floor Loading

Weight - Standard base standard caster options	113 lb	51 kg	132 lb	60 kg	—	—	—	—
Weight - Standard base pneumatic caster options	117 lb	53 kg	136 lb	62 kg	—	—	—	—
Weight - Straddle base standard caster options	126 lb	57 kg	145 lb	66 kg	149 lb	68 kg	154 lb	70 kg
Weight - Straddle base pneumatic caster options	130 lb	59 kg	149 lb	68 kg	153 lb	69 kg	158 lb	72 kg
Weight - 4-point caster option A	137 lb	62 kg	158 lb	72 kg	162 lb	73 kg	167 lb	76 kg
Weight - 4-point caster option B	139 lb	63 kg	160 lb	73 kg	164 lb	75 kg	169 lb	77 kg
Weight - Counterweight base standard caster options	392 lb	178 kg	411 lb	186 kg	433 lb	196 kg	—	—



# Genie® Genie Lift™ GL™ -4, GL-8, GL-10 & GL-12

## SKU: Standard Model

- **GL400001C00002:** GL-4 Standard base
- GL-4 Straddle base\*
- GL-4 Counterweight base\*
- **GL120001A00002:** GL-12 Straddle base

\* Build to Order

## SKU: Standard Model

- **GL800001C00002:** GL-8 Standard base
- GL-8 Straddle base\*
- GL-8 Counterweight base\*
- **GL100001C00002:** GL-10 Straddle base
- GL-10 Counterweight base\*

Option availability		S	S+	BtO
Chassis	Foot-release brakes		<input type="radio"/>	<input type="radio"/>
	Portable compact design for easy transport and storage	<input checked="" type="checkbox"/>	<input checked="" type="checkbox"/>	<input checked="" type="checkbox"/>
	Quick setup requires no tools	<input checked="" type="checkbox"/>	<input checked="" type="checkbox"/>	<input checked="" type="checkbox"/>
	Rolls easily through single door	<input checked="" type="checkbox"/>	<input checked="" type="checkbox"/>	<input checked="" type="checkbox"/>
Mast	Heavy duty winch			<input type="radio"/>
	One-speed manual winch, locks load in place	<input checked="" type="checkbox"/>	<input checked="" type="checkbox"/>	<input checked="" type="checkbox"/>
	Reversible winch handle for easy storage	<input checked="" type="checkbox"/>	<input checked="" type="checkbox"/>	<input checked="" type="checkbox"/>
Wheels	Transport carriage lock	<input checked="" type="checkbox"/>	<input checked="" type="checkbox"/>	<input checked="" type="checkbox"/>
	10in/25.4cm pneumatic rear wheels and 2.5in/6.4cm front swivel (Standard, Straddle)			<input type="radio"/>
	4-point swivel caster A: 4in/10.2cm rear, 2in/5.1cm front (Straddle)			<input type="radio"/>
	4-point swivel caster B: 5in/12.7cm rear, 2in/6.4cm front (Straddle)			<input type="radio"/>
	5in/12 cm rear swivel casters, 4in/10cm fixed front wheels (Counterweight)	<input checked="" type="checkbox"/>	<input checked="" type="checkbox"/>	<input checked="" type="checkbox"/>
Attachments	8in/20.32cm rear and 2in/5cm front, solid non-marking wheels and casters (Standard, Straddle)	<input checked="" type="checkbox"/>	<input checked="" type="checkbox"/>	<input checked="" type="checkbox"/>
	Durable standard steel forks	<input checked="" type="checkbox"/>	<input checked="" type="checkbox"/>	<input checked="" type="checkbox"/>
	Boom		<input type="radio"/>	<input type="radio"/>
	Ladder (Standard, Straddle - Available aftermarket only)		<input type="radio"/>	<input type="radio"/>
	Load platform		<input type="radio"/>	<input type="radio"/>

Heavy duty winch (not available with Ladder option)

- S Standard
- S+ Standard +
- BtO Build to Order
- ✓ Standard Features
- Options



Lightweight



Truck Portable



Material Handling Attachments



### Genie Genuine Accessories<sup>(1)</sup>

(1) More accessories available from Genie Genuine Parts.

Product specifications are subject to change without notice or obligation. Photographs and/or drawings herein are for illustrative purposes only. Refer to the appropriate Operator's Manual for instructions on proper equipment use. Failure to follow instructions in the Operator's Manual may result in serious injury or death. The only warranty applicable to our equipment is the standard written warranty applicable to the particular product and sale and we make no other warranty, express or implied. Products and services listed may be trademarks, service marks or trade names of Terex Corporation and/or their subsidiaries in the USA and many other countries. Terex, Genie, Xtra Capacity, Lift Power, Lift Guard, Lift Tools, Lift Connect and Tech Pro Link are registered trademarks of Terex Corporation or its subsidiaries.